

**INS/OUTS**

1 SD SDI In  
4 SD SDI Outs (one with bypass relay of Input)  
4 GPI In and 2 GPI Outs

**AR CONVERTER**

16:9 In to 14:9 or 4:3 Out  
4:3 In to 16:9 or 14:9 Out

**WSS/AFD Data Inserter**

User selectable WSS/AFD data inserter

**DIGITAL PROC AMP (YUV) (UL500)**

Y Lift -150/+150mV from nominal  
Cb/Cr lift ±150mV from nominal  
Y Gain +50% to +200%  
Cb/Cr Gain +0% to +200%  
Hue±180°  
Y Black Clip -50/+50mV from nominal  
Y Black Knee +100/-0mV from Black Clip  
Y White Clip 760/650mV  
Y White Knee -100/+0mV from White Clip  
Cb/Cr Clip 150/50%

**LEGALIZER**

100% removal of illegal colors (if longer than 4 pixels)

**COLOR CORRECTOR (RGB) (UL500)**

RGB Black -700/+1440mV from nominal  
RGB Peak level -700/+1440mV from nominal  
RGB Gamma equivalent to input gamma of +1.0 to 2.8  
RGB Black Clip -50/+50mV from nominal  
RGB Black Knee +100/-0mV from Black Clip  
RGB White Clip 760/650mV  
RGB White Knee -100/+0mV from White Clip

**CROPPING (UL500)**

H Crop 0 to +half video line (linear edges)  
V Crop 0 to +half video field

**DIMENSIONS (FIG)**

44mm (H) x 205mm (W) x 325mm (L)  
Rack mounting with RM1 option (2 units in 1RU)

**WEIGHT**

2.5kg (without power supply)

**POWER**

FIG comes with an external 100-240V power supply  
Optional redundant power supply (RPSU)  
Power consumption: less than 20W

All specifications of this brochure are subject to change without notice. They are given for information only

ORDERING INFORMATION

**FIG** Universal HD-SD SDI to HD-SD SDI OS free computer  
External 12V Power Supply

**AR400 application**

SD 16:9 to 4:3 and vice versa AR Converter  
WSS-AFD Data Inserter

**AR500 application**

SD 16:9 to 4:3 and vice versa AR Converter  
WSS-AFD Data Inserter  
Full RGB Color Corrector and YUV/RGB Legalizer

**RC-CO** Remote control for Color Correction

**RM1** Rack mounting mechanics for 1 or 2 FIG modules

**RPSU** Redundant & Hot Swap external Power 12V Supply

Doc 2014-0--AR-V3.00

# ASPECT RATIO

Software solutions developed on FIG hardware platform

SD Aspect Ratio Converter  
SD 16:9 and 4:3 Aspect Ratio Converter  
WSS-AFD inserter  
AR400 on FIG

SD AR Converter and RGB Color Corrector  
SD 16:9 and 4:3 Aspect Ratio Converter  
WSS-AFD inserter  
RGB Color Corrector  
YUV/RGB Legalizer  
AR500 on FIG

Additional Control unit  
RC-CO for AR500



RC CO

# FIG

OS-free 'computer' designed for dual link HD, HD, SDI  
Second to none

FIG has everything to suit your needs  
Dual HD or SDI Inputs  
HD or SDI Outputs  
Redundant Power Supply  
Ethernet connection  
GPI I/O  
Field upgradable firmware from Compact Flash

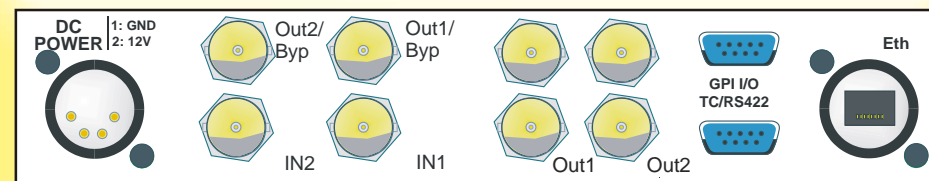
5 rue de la verrerie 38120 Le Fontanil (France)  
Tel : +33 476 71 0528 - sales@vt3.tv

[www.vt3.tv](http://www.vt3.tv)

VT3, 5 rue de la verrerie 38120 Le Fontanil (F)  
Tel: +33 476 71 05 28 - e-mail sales@vt3.tv

# ASPECT RATIO

# FIG



## SD 16:9 to 4:3 and vice versa RGB Color Corrector - Legalizer

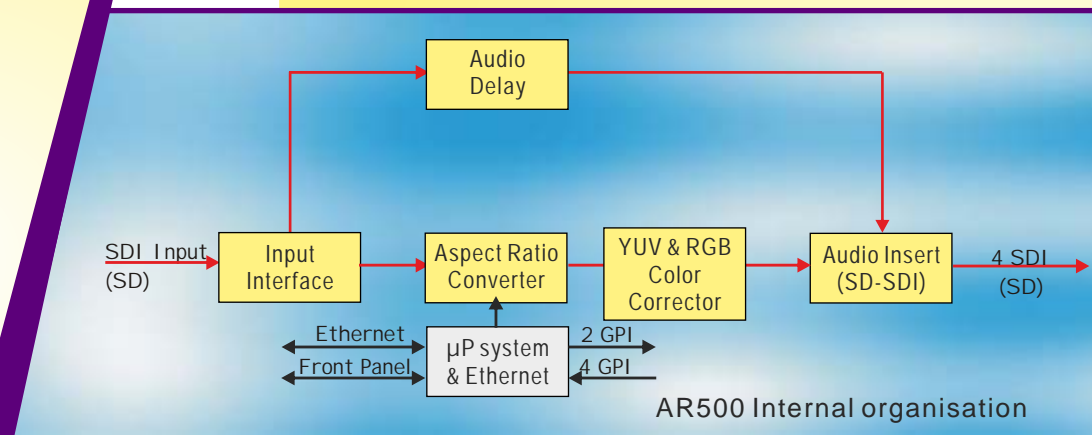
### AR400/500 functionalities

- Serial SD-SDI Input
- Serial SD-SDI Outputs (one with Bypass Relay)
- 2 GPI Out, 4 GPI In all potential free
- User selectable GPI controls
- Total control from front panel
- 100baseT Ethernet network connector
- 1RU height, half 19" width (2 units in 1RU)

- 16:9 to 14:9 or 4:3 Converter
- 4:3 to 14:9 or 16:9 Converter

- WSS or AFD Data insertion

- RGB Color corrector (black, gain, gamma)
- Complete YUV Proc Amp plus YUV Clipping
- True False Color Legalizer with adjustable thresholds (RGB Clipper)
- H and V crop with linear edges
- Controls from front panel or from RC CO



### RC-CO Functionalities

- 100 baseT Ethernet network
- Internal 10/100 Ethernet switch with 4 external ports
- Graphics LCD display
- Camera style mechanics
- Direct access to all functions of UL509, UL519
- Direct access to all devices on network



# VT3